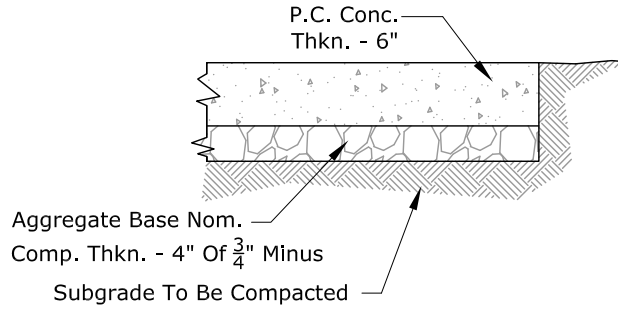
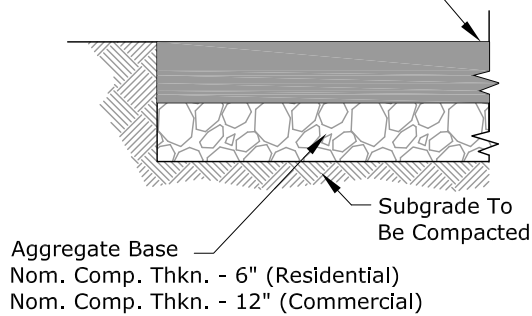


P.C. CONCRETE DWY. AND APPROACHES - COMMERCIAL



P.C. CONCRETE DWY. AND APPROACHES - RESIDENTIAL

\*ACP Mixture Level 2 (Min.) - 1/2" Dense  
Nom. Thkn. - 3" (Residential)  
Nom. Thkn. - 4" (Commercial)



ASPHALT CONCRETE DWY. CONNECTION

\*ACP Mixture Level 3 - 1/2" Dense  
May Be Used With Approval  
Of The Engineer When Dictated  
By Project Quantities.

## DRIVEWAY AND DRIVEWAY APPROACH PAVEMENT SECTION

Not to Scale

### NOTES:

- 1) Use Oregon Commercial Grade Concrete Per Section 00440 For Driveways And Approaches.
- 2) Sterilize Subgrade.
- 3) Compact Aggregate Base To 100% Density Of AASHTO T-99.
- 4) Compact Subgrade To 95% Density Of AASHTO T-99.



WASHINGTON COUNTY  
DEPARTMENT OF LAND USE &  
TRANSPORTATION  
ENGINEERING SECTION

## DRIVEWAY AND DRIVEWAY APPROACH PAVEMENT SECTION

PLOT STAMP: 07/23/18 3:37P ANTHONYD  
CAD: 1010.DWG

EFFECTIVE DATE: 8/01/2018

WASH. CO. #

1010