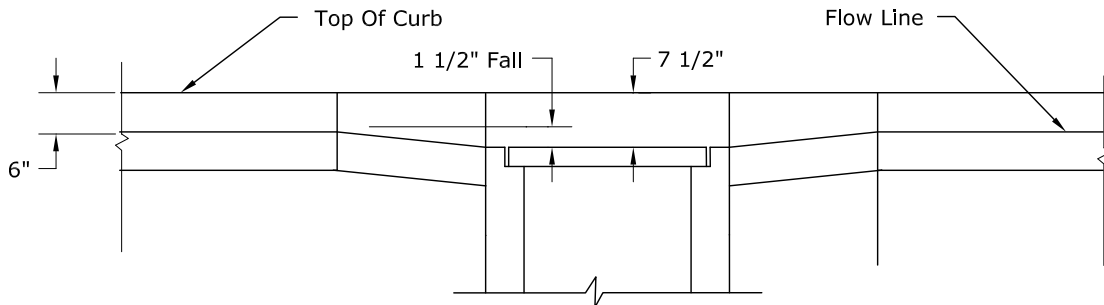
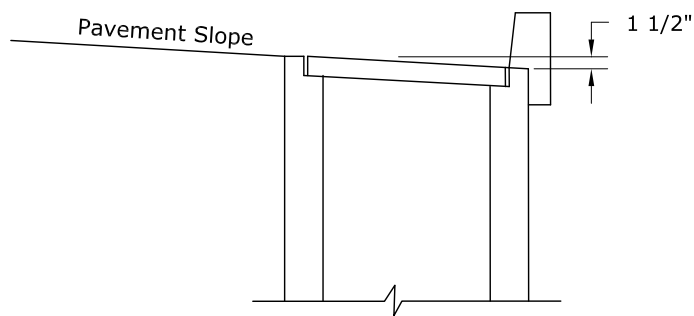


PLAN VIEW - STANDARD CURB AND GUTTER



SECTION A-A



SECTION B-B



WASHINGTON COUNTY
DEPARTMENT OF LAND USE &
TRANSPORTATION
ENGINEERING SECTION

**CATCH BASIN
PAVEMENT TAPERS**

PLOT STAMP: 02/24/11 5:18P KELLYE
CAD: 2050.DWG

EFFECTIVE DATE: **3/18/2011**

WASH. CO. # **2050**