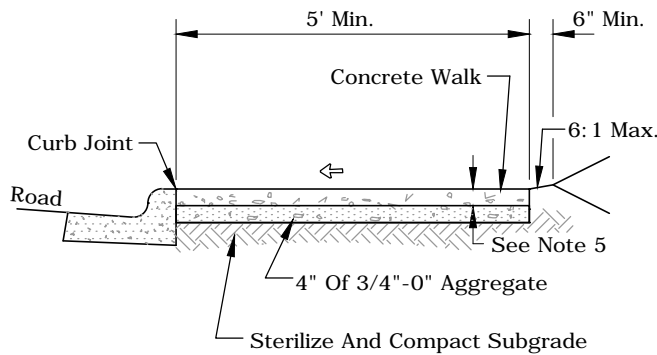


SIDEWALK AWAY FROM CURB



SIDEWALK ADJACENT TO CURB

LEGEND:

- ↔ Slope 1.5% Max Design
- ↔ Slope 2% Max Finish Grade

Notes:

1. Use Oregon Commercial Grade Concrete Per Section 00440.
2. Panel Dimensions To Be Nominal 5 Feet Or As Directed By Engineer. Trowel Finish (shined) Perimeters Of Each Panel. Broom Finish All Panels.
3. Place Expansion Joints Adjacent To Driveway Approaches, Utility Vaults, Drainage Inlets, Sidewalk Ramps, Curb Joints And At Spacing Not To Exceed 100 Feet.
4. Trowel Surfaces At Curb Joints With A Minimum 1/2" Radius.
5. Place 4" Thick Sidewalk Unless Noted Otherwise. Place 6" Thick Sidewalk At Driveways, Bus Stops, Emergency Accesses, And Other Locations Directed By The Engineer.
6. Extend Drain Blockouts In Curbs To Back Of Sidewalk With 3" Dia. Plastic Pipe At 2% Max. Slope. Install Construction Joint Over Pipe.
7. At Each CG-30 And CG-48 Inlet Location, Place A 10 Ft. Long #4 Bar Centered Between Back Of The Inlet Structure And Back Of Walk. Install Joints And Rebar At Direction Of Engineer.
8. Design Slopes May Be Exceeded To Fit Existing Conditions, Not To Exceed Finish Grade Slope.



WASHINGTON COUNTY
DEPARTMENT OF LAND USE &
TRANSPORTATION
ENGINEERING SECTION

P.C. CONCRETE SIDEWALK DETAIL

PLOT STAMP: 08/02/19 2:01P MACHENNAB
CAD: 2110-2(2).DWG

EFFECTIVE DATE: 9/01/2019

WASH. CO. # 2110