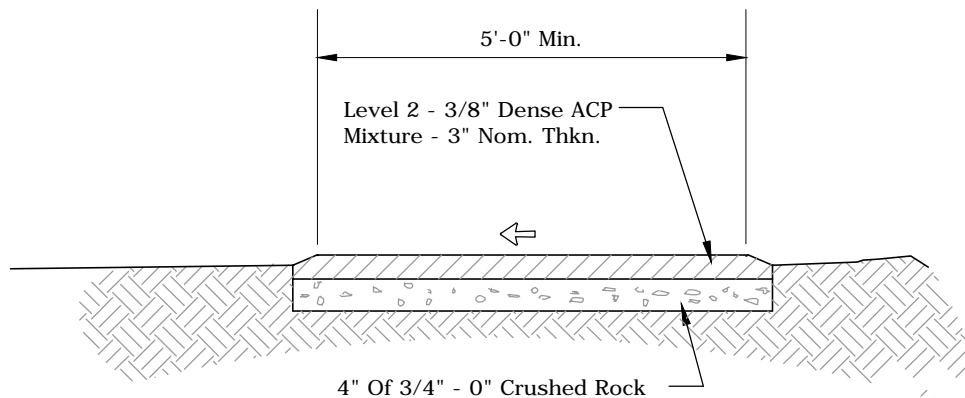


PORTLAND CEMENT CONCRETE



LEGEND:

- ← Slope 1.5% Max Design
- ← Slope 2% Max Finish Grade

ASPHALTIC CONCRETE

NOTES:

1. Use Oregon Standard Commercial Grade Concrete Per Section 00440.
2. Construct P.C. Concrete Panels That Are Square. Deep Cut Contraction Joints At 5 Foot Intervals, Edge On 4 Sides And Light Broom Finish.
3. In Both Cases Sterilize And Compact Subgrade.
4. Design Slopes May Be Exceeded To Fit Existing Conditions, Not To Exceed Finish Grade Slope.



WASHINGTON COUNTY
DEPARTMENT OF LAND USE &
TRANSPORTATION
ENGINEERING SECTION

**PEDESTRIAN PATH
OR BIKEWAY**

PLOT STAMP: 08/27/19 3:16P ANTHONYD
CAD: 2150.DWG

EFFECTIVE DATE: **9/01/2019**

WASH. CO. # **2150**