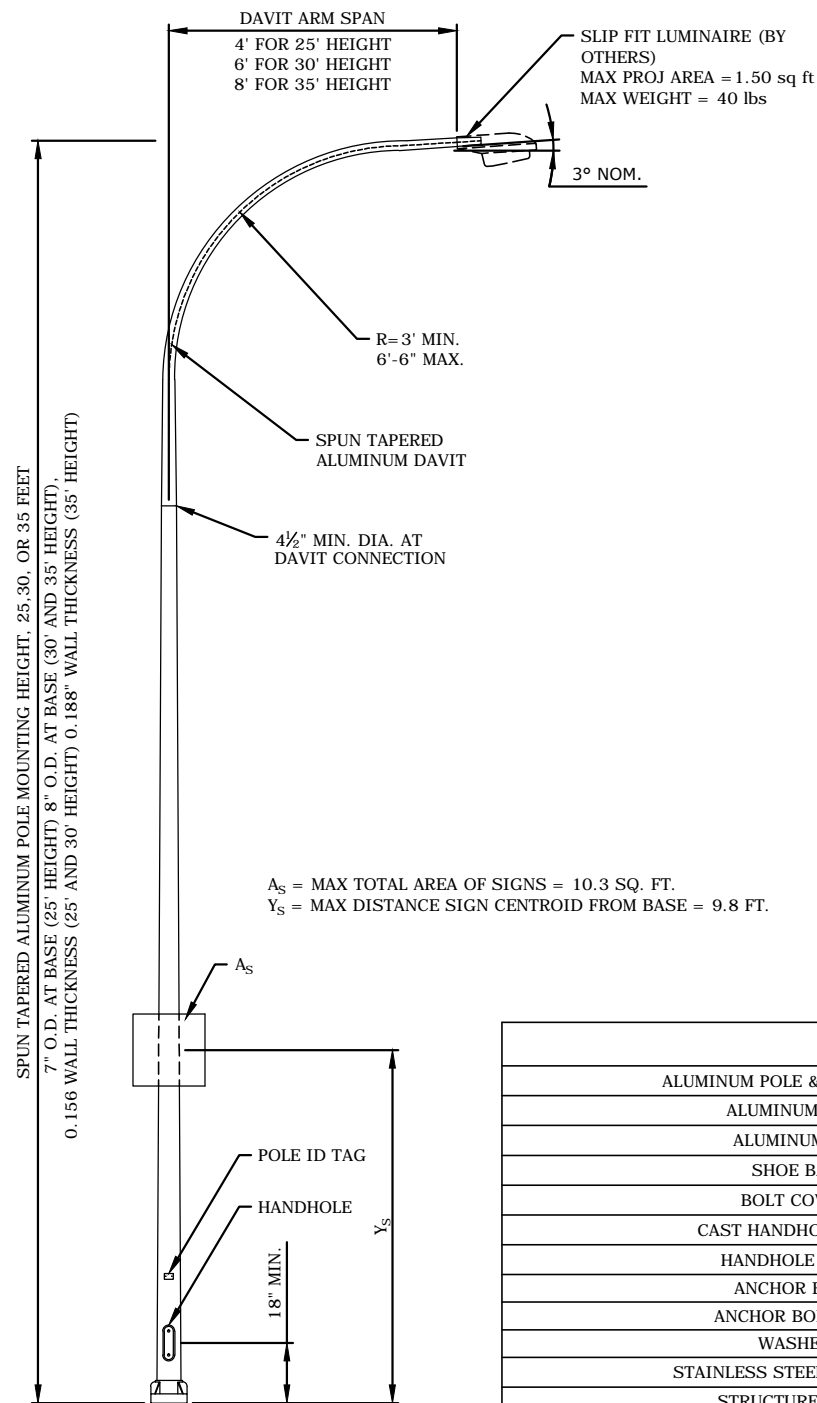


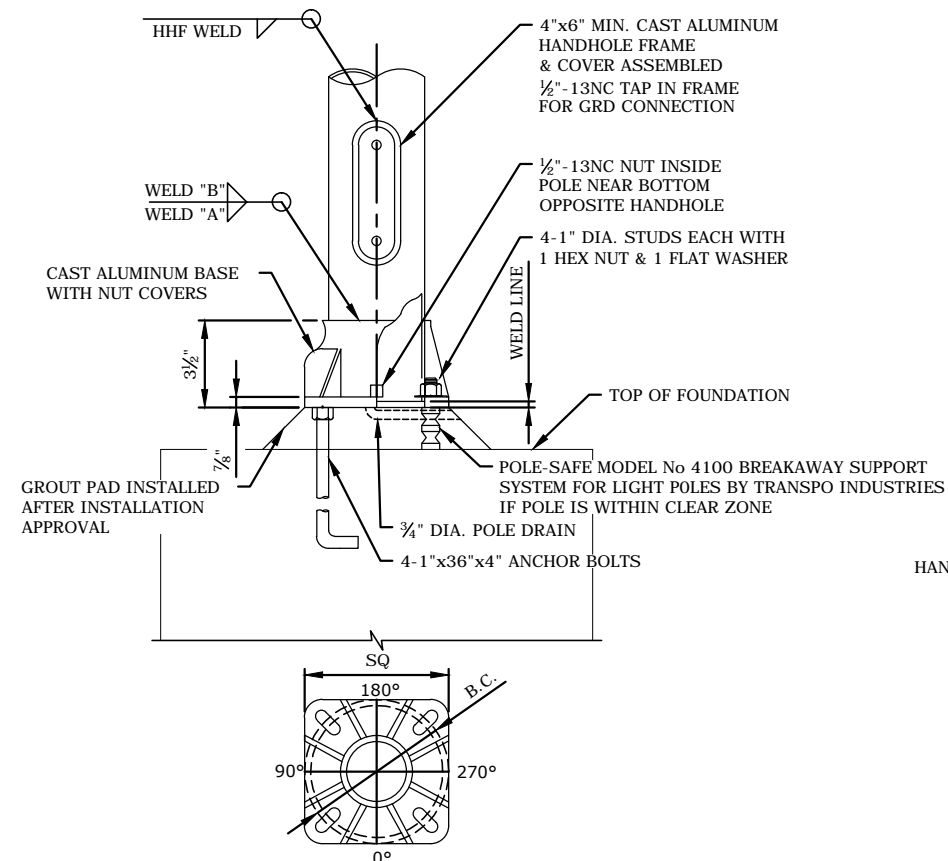
- TAGS SHALL BE ATTACHED TO POLE WITH (2) STAINLESS #6 U-DRIVE SCREWS.
- POLE TAGS SHALL BE 1/16" THICK STAINLESS STEEL.
- TEXT HEIGHT SHALL BE 3/16".

**IDENTIFICATION TAG DETAIL**



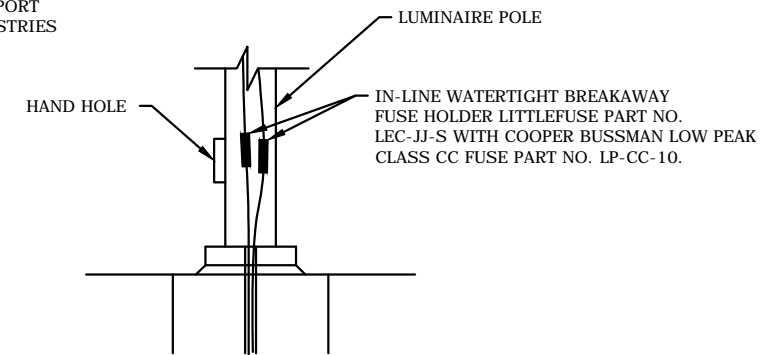
$A_s$  = MAX TOTAL AREA OF SIGNS = 10.3 SQ. FT.  
 $Y_s$  = MAX DISTANCE SIGN CENTROID FROM BASE = 9.8 FT.

**POLE ELEVATION**



**BASE PLATE DETAIL**

WALL THK	WELD "A"	WELD "B"	HHF WELD
.156"	1/4"	3/16"	1/4"
.188"	5/16"	5/16"	5/16"



**IN-LINE FUSED DISCONNECT DETAIL  
(SCHEDULE 32 AND  
OPTION "C" STREET LIGHTS)**

**DESIGN CRITERIA**

1. DESIGNED IN ACCORDANCE WITH 1st EDITION 2015 AASHTO LRFD SPECIFICATIONS FOR STRUCTURAL SUPPORTS FOR HIGHWAY SIGNS, LUMINAIRES, AND TRAFFIC SIGNALS FOR 130 MPH WIND ZONE FOR EXTREME LIMIT STATE AND 81 MPH FOR SERVICE LIMIT STATE.
2. THE EXPOSED LENGTH OF THE ANCHOR BOLT BETWEEN THE TOP OF THE FOUNDATION AND THE BOTTOM OF THE LEVELING NUT SHOULD NOT EXCEED ONE BOLT DIAMETER
3. WELDED ASSEMBLIES HEAT TREATED TO T6 TEMPER
4. REFER TO SPECIAL PROVISIONS AND STANDARD SPECIFICATIONS SECTION 00962 FOR APPROVED EQUIPMENT AND ADDITIONAL REQUIREMENTS

MATERIAL SPECIFICATIONS	
ALUMINUM POLE & DAVIT TUBES	ASTM B210, B221, B241 OR B429 (6063-T6)
ALUMINUM PLATE	ASTM B209 (6061-T6)
ALUMINUM PIPE	ASTM B241 OR B429 (6061-T6)
SHOE BASE	ASTM B108 (356-T6)
BOLT COVERS	ASTM B26 (319F OR 356F)
CAST HANDHOLE FRAME	ASTM B108 (356-T6)
HANDHOLE COVER	ASTM B209 (3003)
ANCHOR BOLTS	ASTM F1554 GR55
ANCHOR BOLT NUTS	ASTM A563 GR DH
WASHERS	ASTM F436 TY 1
STAINLESS STEEL HARDWARE	AISI 300 SERIES (18-8) TY 304 OR TY 316
STRUCTURE FINISH	SATIN
HARDWARE FINISH	HD GALV TO ASTM A153

ACCOMPANIED BY STANDARD DRAWING 6820, 6830, AND 6831

LUMINAIRE SUPPORTS-DAVIT STYLE  
25' 30' AND 35' MOUNTING HEIGHTS

WASHINGTON COUNTY  
DEPARTMENT OF LAND USE &  
TRANSPORTATION  
ENGINEERING SECTION

6810

WASH. CO. #

EFFECTIVE DATE: 09/01/2019

PLOT STAMP: 07/30/19 4:39P ANTHONYD  
CAD: 6810.DWG

