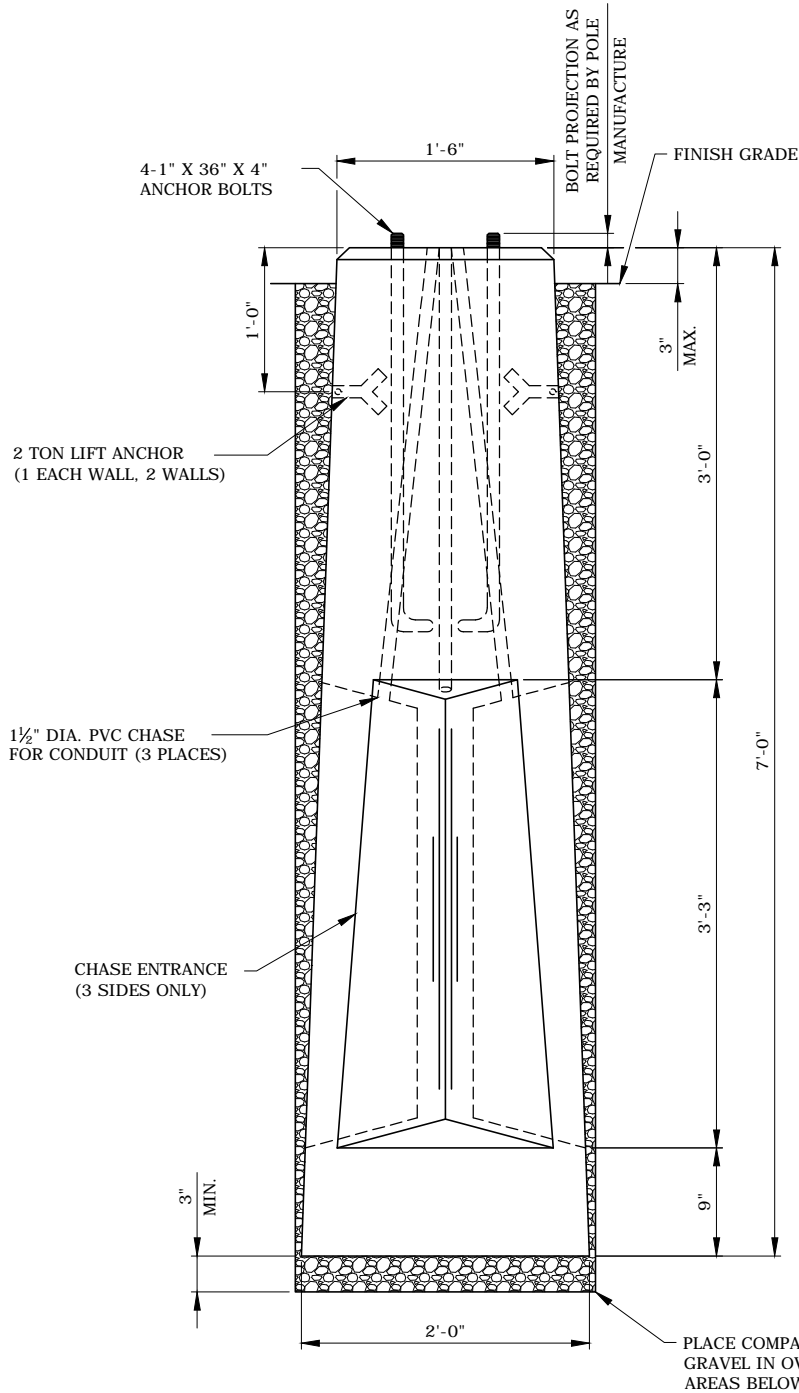
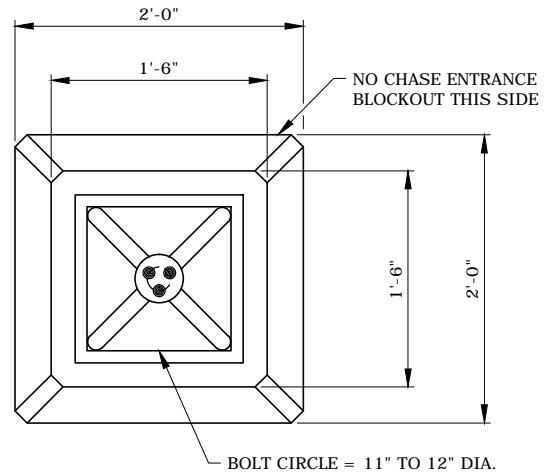


**GENERAL NOTES:**

1. POLE DESIGNED PER 2015 AASHTO LRFD SPECIFICATIONS FOR STRUCTURAL SUPPORTS FOR HIGHWAY SIGNS, LUMINAIRES, AND TRAFFIC SIGNALS.
2. FOUNDATION DESIGN PER 2014 OREGON STRUCTURAL SPECIALITY CODE.
3. FOUNDATION REINFORCEMENT PER FOUNDATION MANUFACTURER.
4. ANCHORAGE AND BOLT CIRCLE DIAMETER PROVIDED BY POLE MANUFACTURER.
5. CONCRETE SHALL HAVE A MINIMUM COMPRESSIVE STRENGTH F'C OF 5500 PSI.
6. SEE SPECIAL PROVISIONS SECTION 00960, 00962 FOR INSTALLATION REQUIREMENTS.
7. ALTERNATIVE FOUNDATION GEOMETRY THAT INCLUDES BLOCKOUTS BELOW GROUND LEVEL FOR CHASE ENTRANCE IS ACCEPTABLE IF APPROVED BY ENGINEER.
8. REFER TO SPECIAL PROVISIONS AND STANDARD SPECIFICATIONS SECTION 00960 AND 00970 FOR APPROVED EQUIPMENT AND ADDITIONAL REQUIREMENTS



**ELEVATION**



**PLAN**

ACCOMPANIED BY STANDARD DRAWING 6810, 6830, AND 6831



WASHINGTON COUNTY  
DEPARTMENT OF LAND USE &  
TRANSPORTATION  
ENGINEERING SECTION

**TYPICAL FOUNDATION FOR  
LUMINAIRE SUPPORTS**

PLOT STAMP: 07/30/19 4:49P ANTHONYD  
CAD: 6820.DWG

EFFECTIVE DATE: 09/01/2019

WASH. CO. # 6820