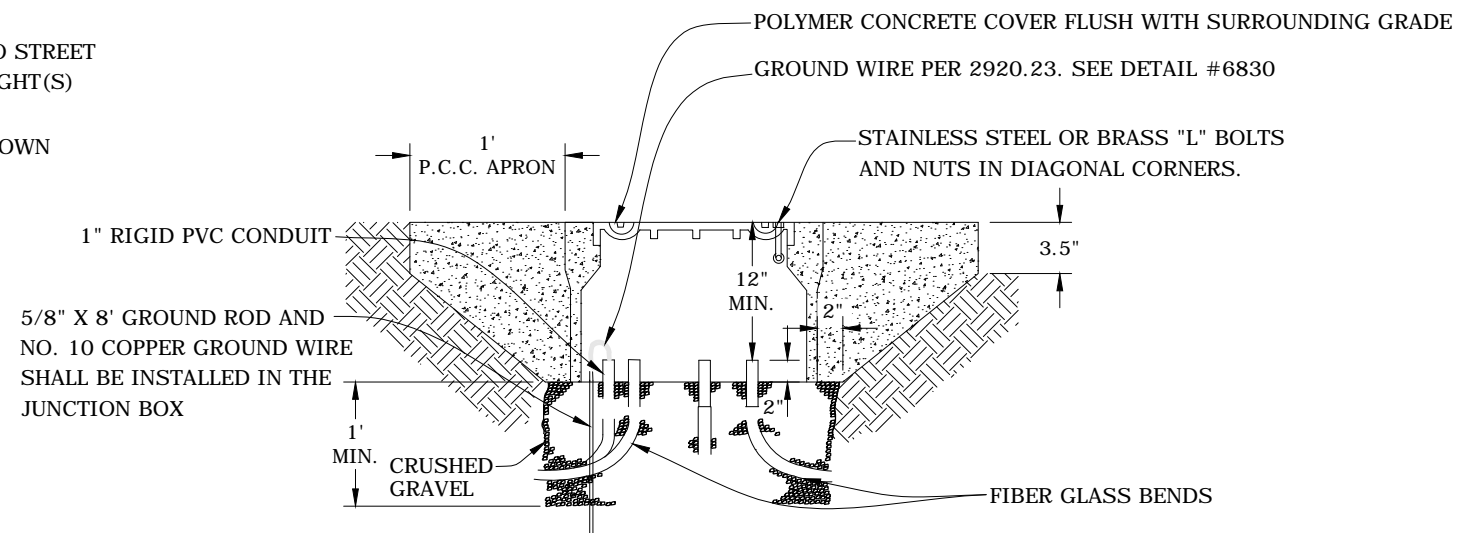
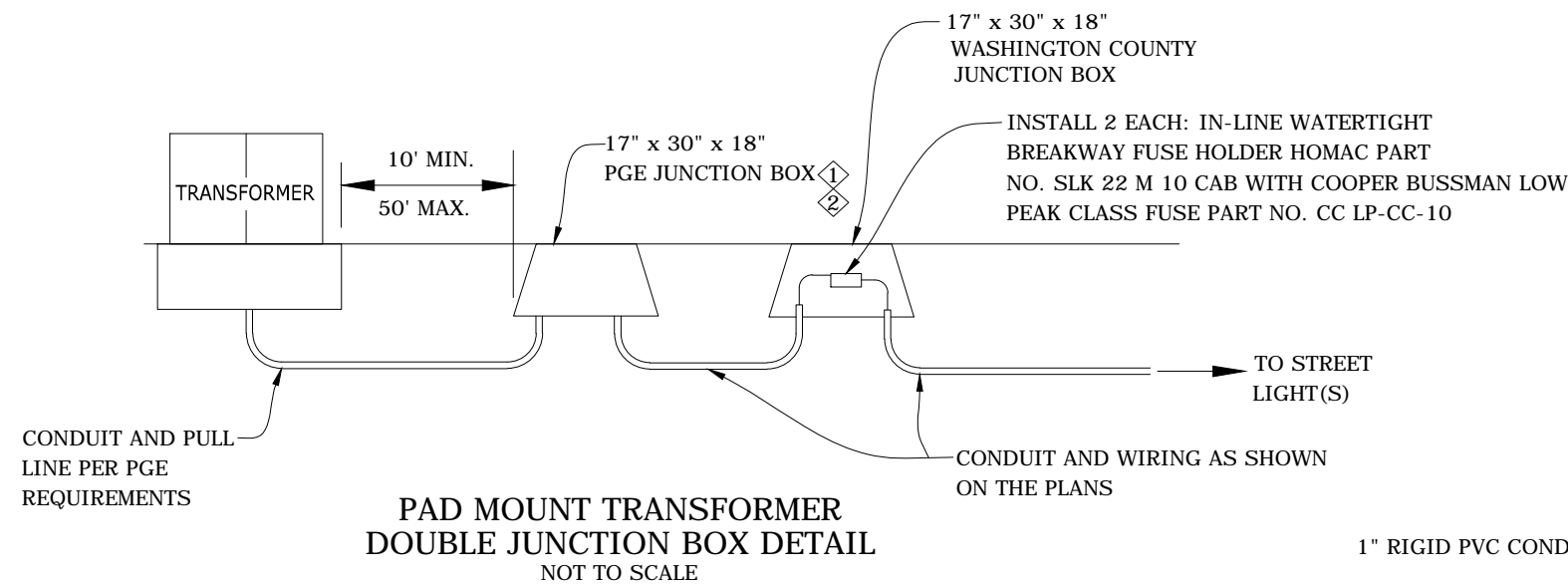
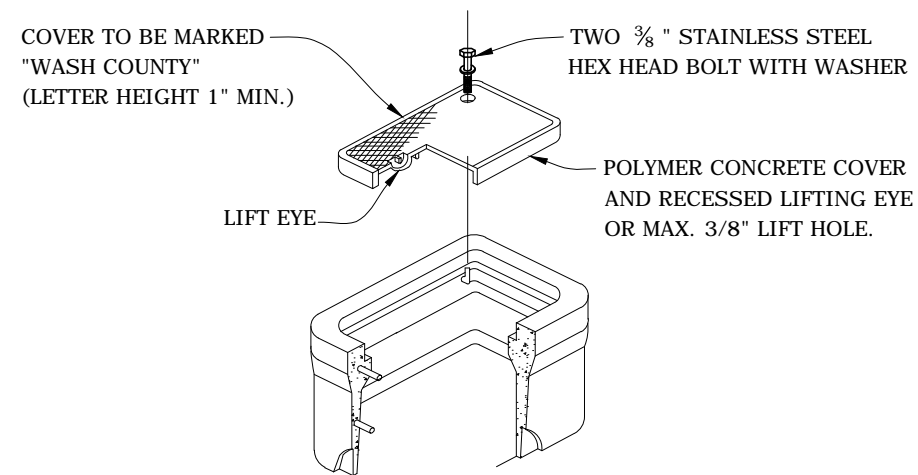


**GENERAL NOTES:**

1. CONDUITS SHOWN ARE FOR EXAMPLE ONLY. ADDITIONAL CONDUITS MAY BE REQUIRED AS SHOWN ON THE PLAN SHEETS.
2. FOR CONDUIT END TREATMENT REFER TO ODOT STANDARD SPECIFICATIONS FOR CONSTRUCTION, LATEST EDITION (SEE SECTION 00960.42) AND OREGON STANDARD DRAWING LATEST EDITION (TM472).
3. IN JUNCTION BOXES WHERE THERE ARE EXISTING WIRES AND CONDUITS, THE CONTRACTOR SHALL ADJUST THEM AS NECESSARY TO MAINTAIN THE SYSTEM WHEN WORK IS COMPLETE.
4. JUNCTION BOXES AND COVERS SHALL BE RATED TIER 15 ACCORDING TO ANSI/SCTE 77-2007.
5. JUNCTION BOXES SHALL BE INSTALLED BEHIND THE SIDEWALK OR IN THE PLANTER STRIP WHEN POSSIBLE.
6. REFER TO SPECIAL PROVISIONS AND STANDARD SPECIFICATIONS SECTION 00960, 00970, AND 02920 FOR APPROVED EQUIPMENT AND ADDITIONAL REQUIREMENTS.



- ① PGE WILL CONNECT PGE CONDUCTORS TO AGENCY CONDUCTORS INSIDE PGE JUNCTION BOX
- ② VERIFY LOCATION WITH PGE PRIOR TO INSTALLATION



**ILLUMINATION JUNCTION BOX**  
NOT TO BE USED IN TRAVEL LANES, SHOULDERS OR AREAS EXPOSED TO TRAFFIC.

**NOTES:**

1. ILLUMINATION CIRCUIT WIRES ARE NOT SHOWN. SEE ILLUMINATION PLANS.
2. ILLUMINATION CIRCUITS SHALL BE SPLICED ACCORDING TO SECTION 02920.25

ACCOMPANIED BY STANDARD DRAWING 6810, 6820, AND 6830

<b>ILLUMINATION JUNCTION BOX DETAILS</b>	WASH. CO. # <b>6831</b>
EFFECTIVE DATE: <b>09/01/2019</b>	PLOT STAMP: 07/30/19 4:49P ANTHONYD CAD: 6831.DWG

