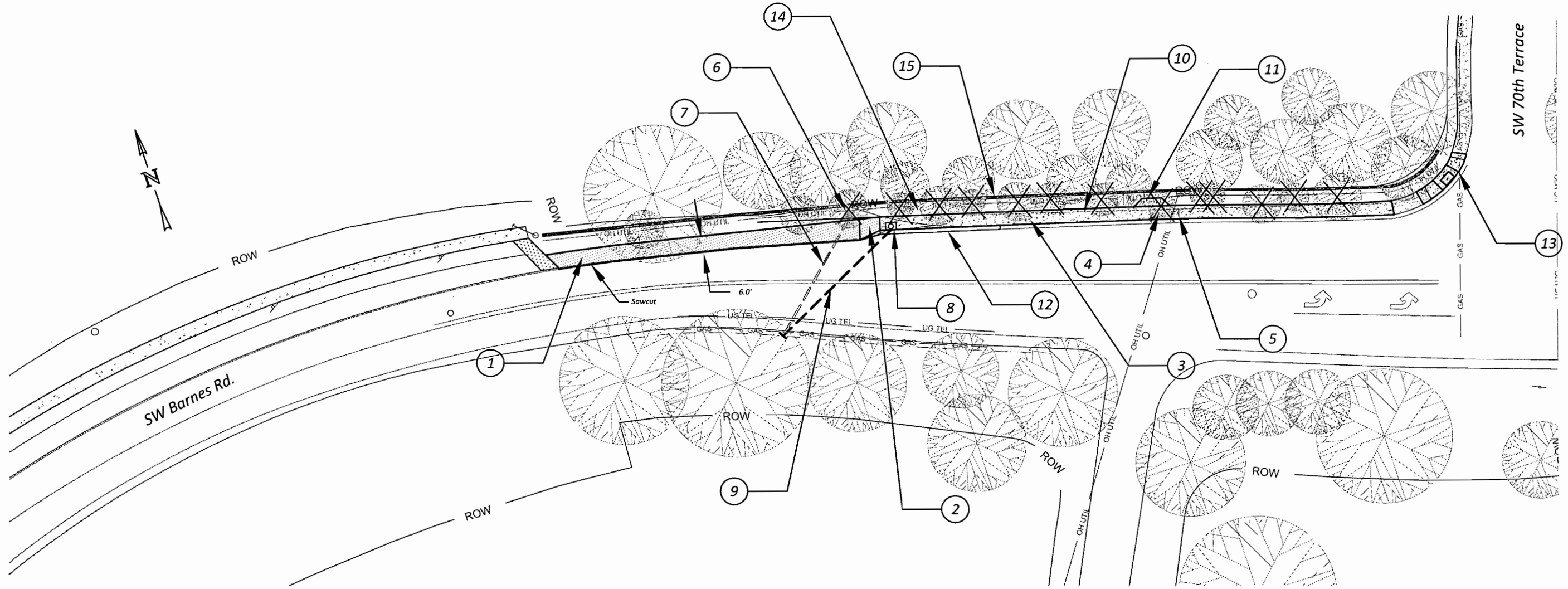


SW Barnes Rd. At SW 70th Terrace



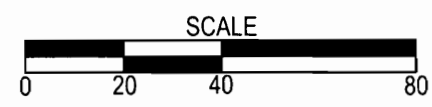
- ① Construct Shoulder Widening
- ② Construct Asphalt Concrete Ramp To Sidewalk.
- ③ Construct Concrete Walk. - 1080 SF
- ④ Remove Trees Between Wall And Curb (x12)
- ⑤ Keep Bus Stop Accessible During Construction. Reinstall Bus Stop Sign At Front Of Sidewalk After Construction.
- ⑥ Remove Existing Storm Structure And Drainage Curb
- ⑦ Fill And Abandoned Existing Culvert.
- ⑧ Install Inlet Catch Basin CG-48.
- ⑨ Construct 18" C 900 PVC Storm Pipe - 56'
- ⑩ Cut, Cap and Remove Irrigation System Impacted By Construction.
- ⑪ Install Concrete Walk Extension As Directed For Bus Stop.
- ⑫ Install Standard Curb And Gutter. - 45'
- ⑬ Construct Pedestrian Sidewalk Ramps.
- ⑭ Construct Cinder Mulch Landscaped Area Behind Sidewalk.
- ⑮ Preserve And Protect Wall.

DEPARTMENT OF LAND USE & TRANSPORTATION OPERATIONS

PLOT STAMP: 02/01/12 3:41P AARONG
 CAD: BARNES_70TH.DWG, TAB: LAYOUT
 DRAWN BY: D. DRAFTER
 NO. REVISIONS

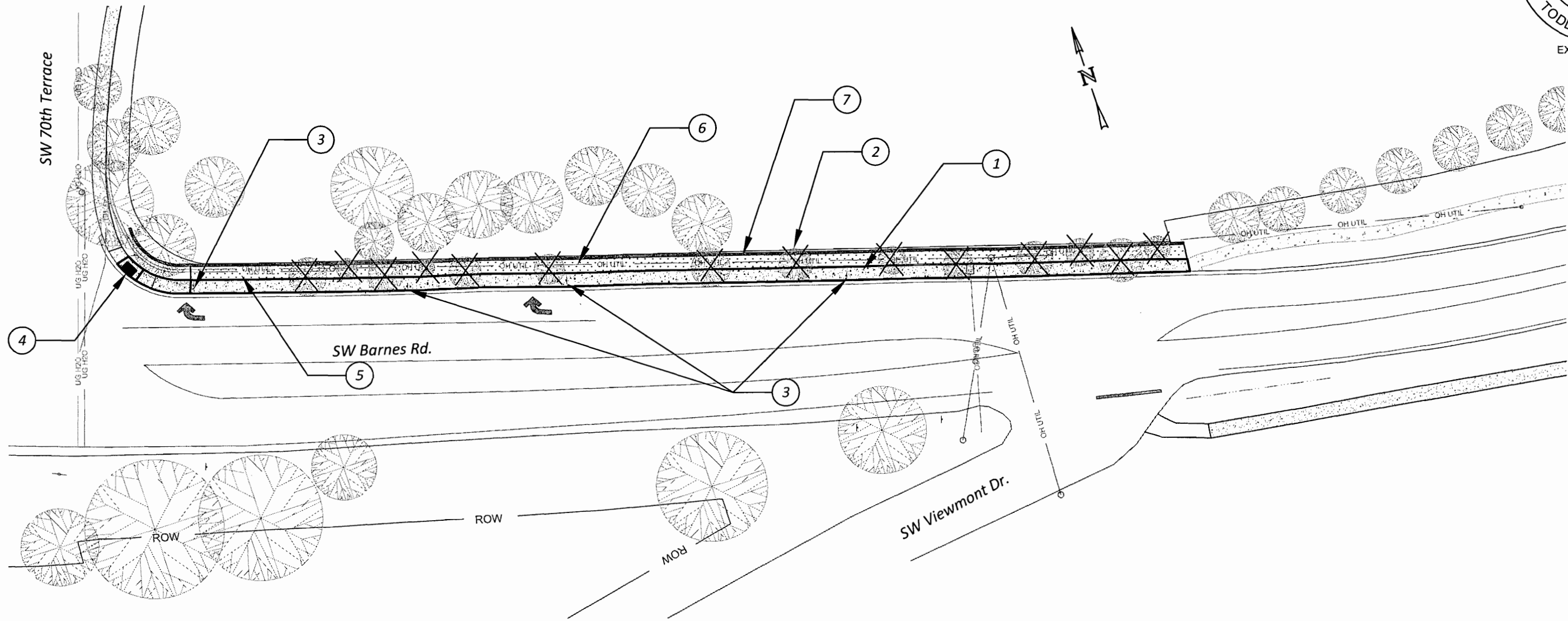
SW BARNES RD.
 AT 70TH TERRACE
 WASHINGTON COUNTY

PLAN



PROJECT NUMBER
7615
 SHEET NO.
 1 OF 4
 SHEET TITLE
PROJECT 2

SW Barnes Rd. & SW 70th Terrace



- ① Construct Concrete Walk. - 1908 SF
- ② Remove Trees Between Wall And Curb. (x14)
- ③ Temporarily Relocate Sign And Reinstall Behind Behind Sidewalk (x4).
- ④ Construct Pedestrian Sidewalk Ramp.
- ⑤ Cut, Cap and Remove Irrigation System Impacted By Construction.
- ⑥ Construct Vegetated Filter Strip On Back Side Of Sidewalk.
- ⑦ Preserve And Protect Wall.

DEPARTMENT OF
LAND USE &
TRANSPORTATION
OPERATIONS

WASHINGTON COUNTY
OREGON

PLOT STAMP: 02/02/12 3:03P AARONC
CAD: BARNES_70TH.DWG, TAB: LAYOUT1 (2)
DRAWN BY: D. DRAFTER

NO.	REVISIONS

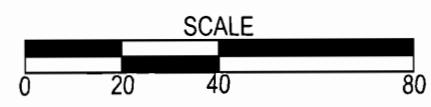
SW BARNES RD.
AT 70TH TERRACE
WASHINGTON COUNTY

PLAN

PROJECT NUMBER
7615

SHEET NO.
2 OF 4



SHEET TITLE
PROJECT 2

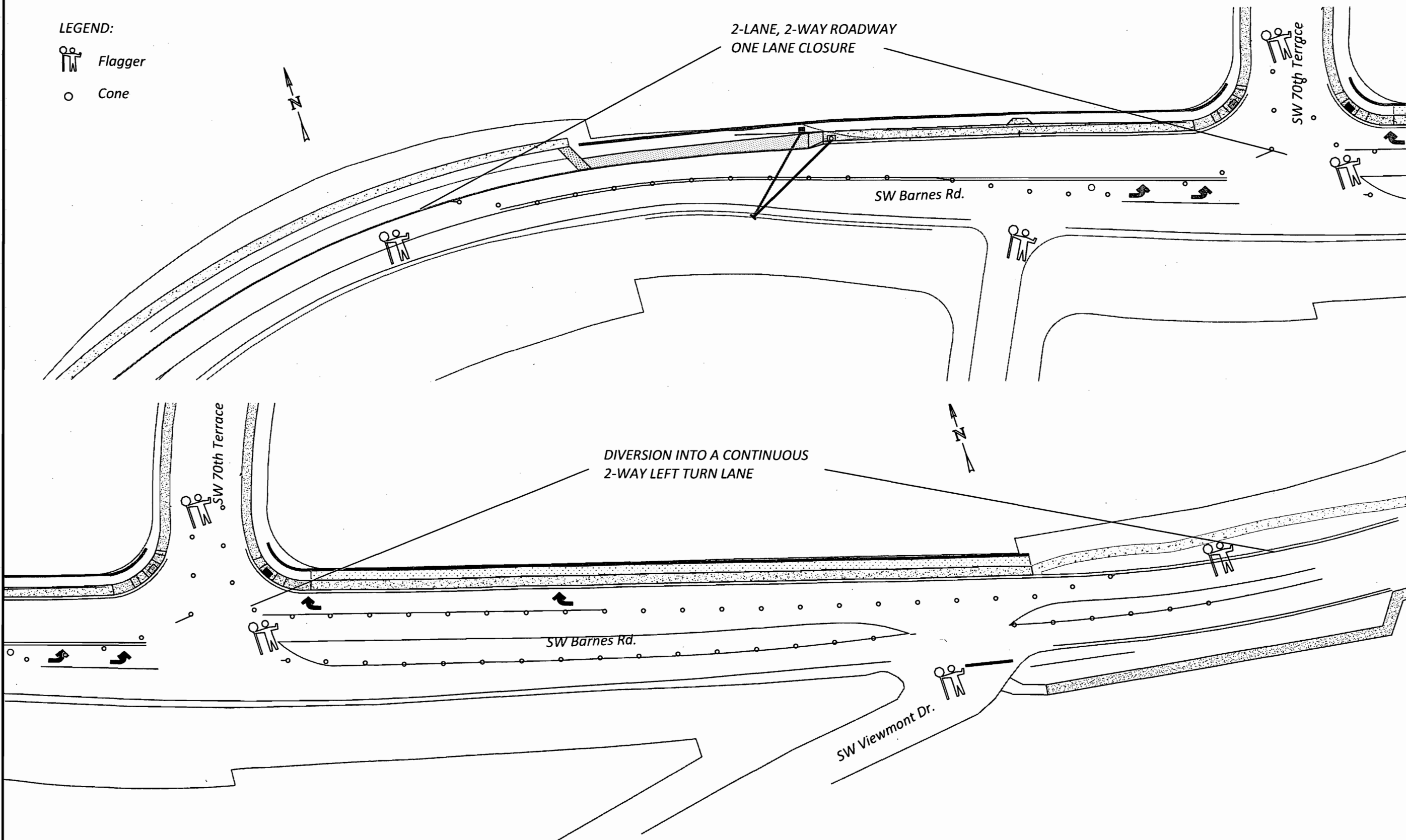


NOTE:
 This Traffic Control Plan Is Provided For Conceptual
 Purposes Only. Actual Traffic Control Plan Must Be In
 Conformance With Applicable Standards And
 Specifications.


SW Barnes Rd. At SW 70th Terrace



LEGEND:
 Flagger
 Cone



DEPARTMENT OF
 LAND USE &
 TRANSPORTATION
 OPERATIONS



WASHINGTON COUNTY
 OREGON

PLOT STAMP: 02/01/12 4:22P AARONG	
CAD: BARNES_70TH.DWG, TAB: TRAFFIC CONTROL	
DRAWN BY: D. DRAFTER	
NO. REVISIONS	

SW BARNES RD.
 AT 70TH TERRACE
 WASHINGTON COUNTY

TRAFFIC CONTROL PLAN
CONCEPTUAL

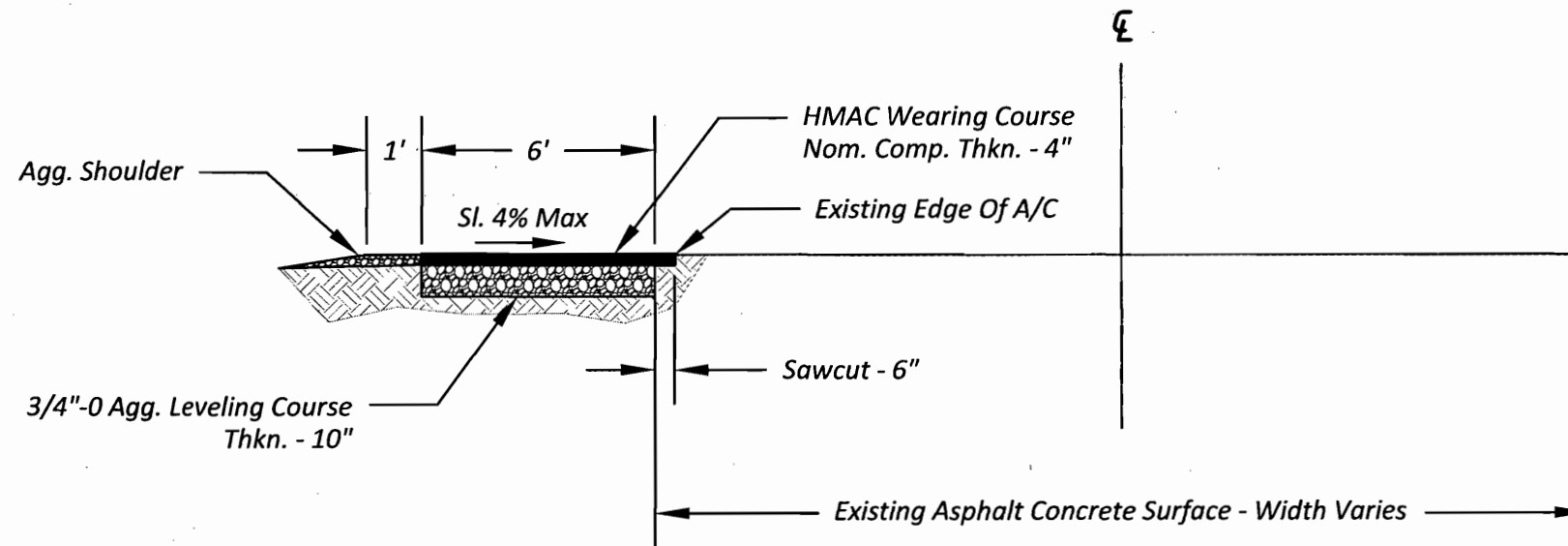
PROJECT NUMBER
7615

SHEET NO.
 3 OF 4

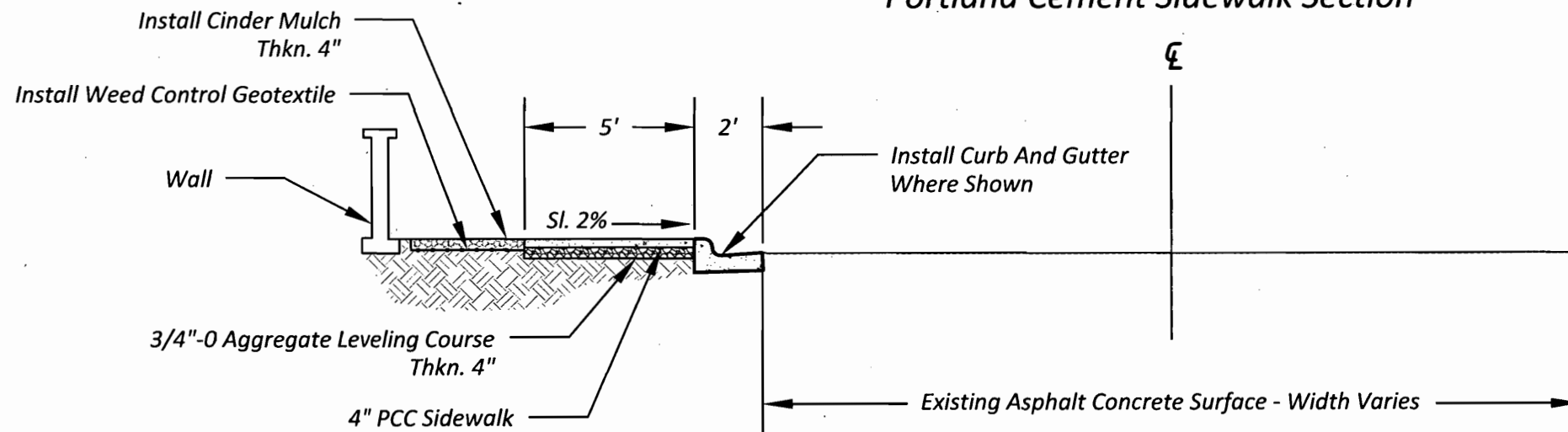
SHEET TITLE
PROJECT 2

TYPICAL SECTIONS

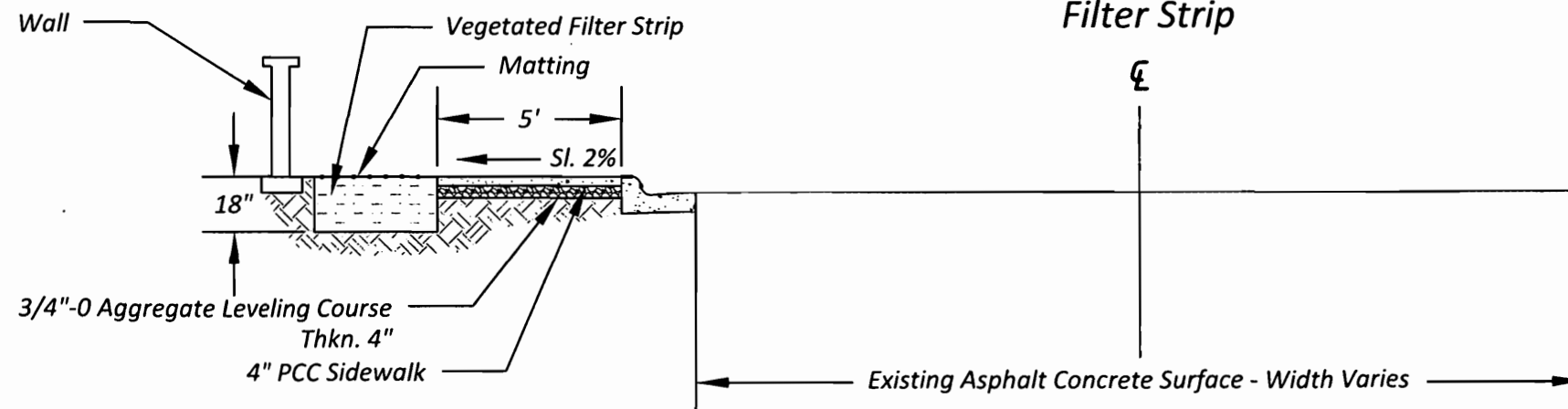
Shoulder Widening Section



Portland Cement Sidewalk Section



Portland Cement Sidewalk Section With Vegetated Filter Strip



PLOT STAMP: 02/01/12 3:41P AARONC
 CAD: BARNES_70TH.DWG, TAB: SECTIONS
 DRAWN BY: D. DRAFTER

NO.	REVISIONS

SW BARNES RD.
 AT 70TH TERRACE
 WASHINGTON COUNTY

TYPICAL SECTIONS

PROJECT NUMBER	7615
SHEET NO.	4 OF 4
SHEET TITLE	PROJECT 2